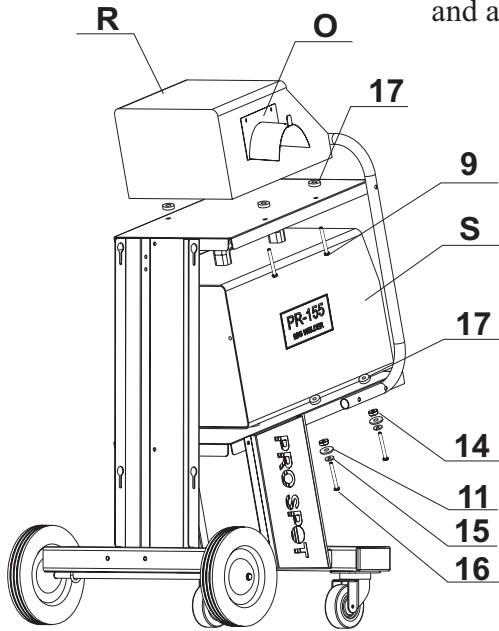


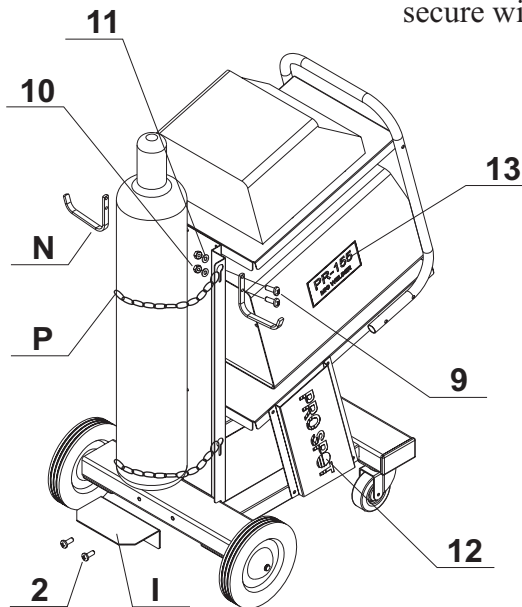
5.

- 1) Attach PR-155 MIG welder [S] as shown.
- 2) Attach PR-2 welder [R] to the upper shelf as shown. Use spacer [17] between welder and a shelf.



6.

- 1) Attach hangers [N] to the back panel as shown.
- 2) Attach MIG bottle support plate [I] to the bottom tray as shown.
- 3) Put your gas bottle on the back of the cart and secure with chains [P]

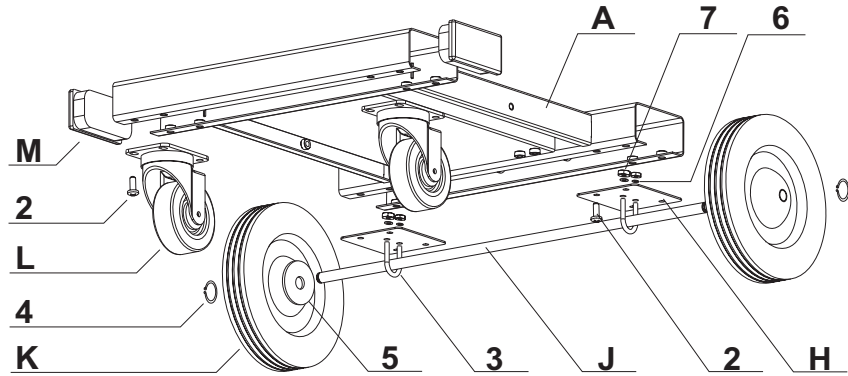


PRO SPOT www.aesjoe.com **PR-2 Combi**
COMPONENT LIST AND ASSEMBLY INSTRUCTIONS

PSC-01 Right Side Panel 1 pc.	D	PSC-02 Left Side Panel 1 pc.	C	PSC-03 Rear Panel 1 pc.	B	PSC-04 Pull Handle 1 pc.	G						
PSC-05 Lower PR-155 Shelf 1 pc.	E	PSC-06 Upper PR-2 Shelf 1 pc.	F	P6-05 Bottom Tray 1 pc.	A								
PR-2000-13 Wheel Plate 2 pc.	H	P10-35 End Cap 2 pc.	M	P10-38 Hanger 2 pc.	N	PR-2 220V Dent Puller 1 pc.	R	PR-155 155A Mig Welder 1 pc.	S				
PSC-12 Wheel 2 pc.	K	PSC-07 Mig Bottle Support Plate 1 pc.	I	P10-05A 3" Caster Wheel 2 pc.	L	M-88 Chain for Mig Bottle 2@ 27" ea.	P	P6-18 Cable Holder 2 pc.	O				
M-05 15/32" Hose Clamp 1 pc.	18	P-05 U-Bolt 2 pc.	3	SR-07 SnapRing 2 pc.	4	M-82 Nylon Spacer 8 pc.	17	S-93 M8x30 SHCS 2 pc.	16	S-43 M6x10 34 pc.	2	S-44 M6x16 8 pc.	9
S-05 M6x30 6 pc.	1	PSC-13 Axle 1 pc.	J	W-24 1/2" Washer 2 pc.	5	W-16 5/16 Flat Washer 2 pc.	11	W-20 1/4" Lock Washer 8 pc.	6				
W-19 5/16" Lock Washer 2 pc.	15	N-06 1/4-20 Nut 4 pc.	7	N-03 M6 Nut 4 pc.	10	N-38 8mm Nut 2 pc.	14	PR-155-10 Decal 2 pc.	13	PSC-18Y 10" Decal 2 pc.	12		

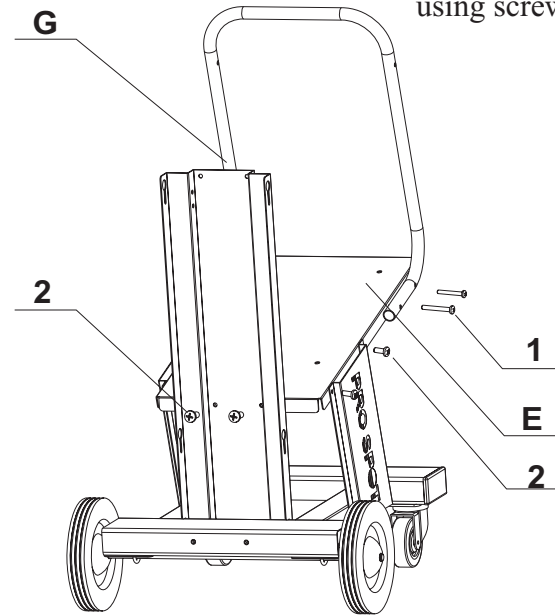
1.

- 1) Attach wheel plates [H] to the bottom tray [A] using included screws [2].
- 2) Secure axle [J] using U-Bolts [3]. Make sure that axle is centered.
- 3) Attach wheels [K] as shown below using snap rings [4].
Put washer [5] between bottom tray [A] and wheel [K].
- 4) Attach casters [L] using included screws [2].
- 5) Insert end caps [M].



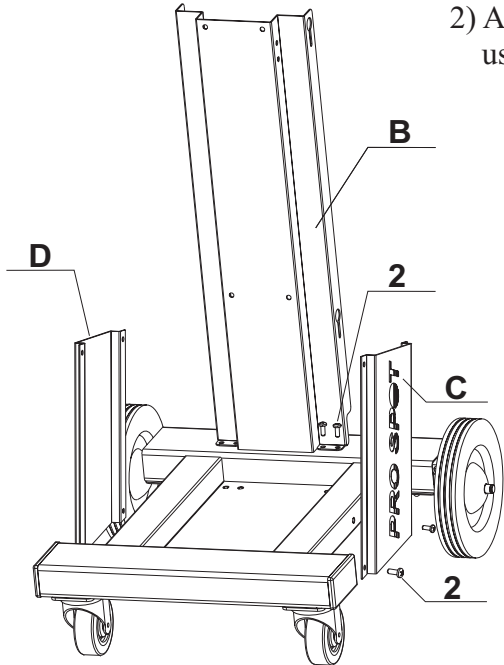
3.

- 1) Attach lower shelf [E] to the back and side panels as shown.
- 2) Attach pull handle [G] to the lower shelf [E] using screws [1].



2.

- 1) Attach back panel [B] using screws [2] as shown.
- 2) Attach left [C] and right [D] panels using screws [2] as shown.



4.

- 1) Attach upper shelf [F] to the back panel and pull handle as shown.

